

# Dual HDMI to HD Component Converter

## Operation Manual



## Introduction

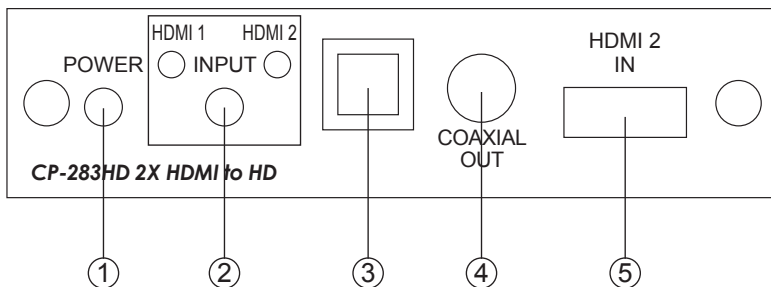
**Cypress CP-283HD** is an HDMI to component (YCbCr/YPbPr) converter with audio output. It allows you to switch between 2 HDMI sources and convert it to component and analog audio (L/R) or digital audio (Co-axial) output at the same time. It supports high definition up to 1080p, and output resolution follows input.

## Features

1. HDMI 1.2, HDCP 1.1 and DVI 1.0 compliant.
2. Supports a wide range of resolutions: 480i/480p/576i/576p/720p/1080i/1080p@50/60Hz.
3. Supports digital audio output through Co-axial cable, or analog audio output through L/R audio cable.
4. IR remote control.
5. HDCP compliant - when input is HDCP encrypted (protected) the component out is turned off.

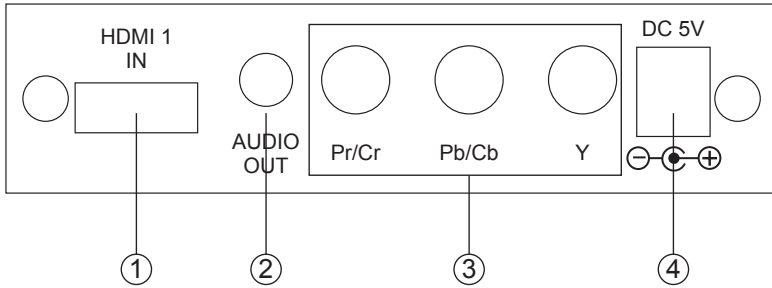
## Operation Controls and Functions

### Front Panel



1. **POWER:**  
Press the "POWER" button to turn on/off power of the unit.
2. **INPUT Select/Indicators:**  
Press the "INPUT" button repeatedly to switch to your desired input source and the LED will illuminate to indicate which input source is selected.
3. **Remote control sensor.**
4. **COAXIAL OUT:**  
Connect the coaxial audio output port to the input port of your audio equipment such as amplifier using coaxial cable.
5. **HDMI 2 IN:**  
Connect the HDMI 2 IN port to the output port of your HDMI source equipment such as DVD Player or Set-top-box.

## Rear Panel



### 1. HDMI 1 IN:

Connect the HDMI 1 IN port to the output port of your HDMI source equipment such as DVD Player or Set-top-box.

### 2. AUDIO OUT:

Connect the L/R audio output port to the input port of your display or audio equipment such as amplifier using L/R audio 3.5 mm cable.

### 3. YPbPr/YCbCr Output:

Connect the YPbPr/YCbCr output (3 RCA) ports to the video input ports of your display equipment such as HDTV.

### 4. Power:

Plug the 5VDC power supply into the unit and connect the adaptor to AC wall outlet.

## Remote Control

### 1. Power:

Press the button to turn on/off the unit.

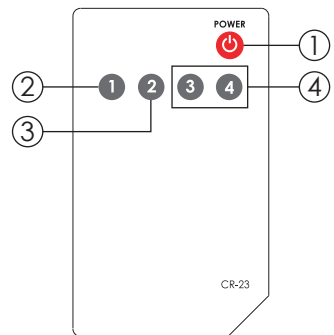
### 2. HDMI 1 IN input select:

Press the button to select HDMI 1 input source.

### 3. HDMI 2 IN input select:

Press the button to select HDMI 2 input source.

### 4. Void buttons (No function.)



## Specifications

\* Inputs: 2 x HDMI female ports

\* Outputs:

Video: High definition component YPbPr/YCbCr on 3 RCA connectors

Audio: Digital audio on CO-AX or analog audio on R/L

\* Power: 5V DC power supply

\* Dimensions(mm): 102(W) x 90(D) x 25(H)

\* Weight(g): 220

# Connection and Installation

